

Please read and save these instructions. Read carefully before attempting to assemble, install, operate or maintain the product described. Protect yourself and others by observing all safety information. Failure to comply with instructions could result in personal injury and/or property damage! Retain instructions for future reference.



Oilless Compressors

Description

Oilless compressors are designed for do-it-yourselfers with a variety of home and automotive jobs. These units operate without oil. Compressed air from this unit will contain moisture. Install a water filter or air dryer if application requires dry air.

Safety Guidelines

This manual contains information that is very important to know and understand. This information is provided for SAFETY and to PREVENT EQUIPMENT PROBLEMS. To help recognize this information, observe the following symbols.

⚠ DANGER *Danger indicates a hazardous situation which, if not avoided, WILL result in death or serious injury.*

⚠ WARNING *Warning indicates a potentially hazardous situation which, if not avoided, COULD result in death or serious injury.*

⚠ CAUTION *Caution indicates a potentially hazardous situation which, if not avoided, MAY result in minor or moderate injury.*

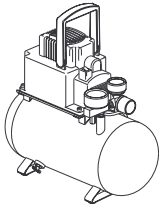
⚠ NOTICE *Notice indicates important information, that if not followed, MAY cause damage to equipment.*

Unpacking

After unpacking the unit, inspect carefully for any damage that may have occurred during transit. Make sure to tighten fittings, bolts, etc., before putting unit into service. In case of questions, damaged or missing parts, please call 1-800-543-6400 for customer



DO NOT RETURN THE PRODUCT TO THE RETAILER!



Record the Model No., Serial No. and date of purchase located on the base below the pump in the space below.

Model No. _____

Serial No. _____

Date of purchase _____

Retain these numbers for future reference.

assistance or call the nearest Campbell Hausfeld Authorized Service Center.

A listing of service center locations is enclosed. Have the serial number, model number, and parts list (with missing parts circled before calling.)

⚠ WARNING *Do not operate unit if damaged during shipping, handling or use. Damage may result in bursting and cause injury or property damage.*

Since the air compressor and other

General Safety Information

components (material pump, spray guns, filters, lubricators, hoses, etc.) used, make up a high pressure

⚠ DANGER

Breathable Air Warning

This compressor/pump is not equipped and should not be used "as is" to supply breathing quality air. For any application of air for human consumption, the air compressor/pump will need to be fitted with suitable in-line safety and alarm equipment. This additional equipment is necessary to properly filter and purify the air to meet minimal specifications for Grade D breathing as described in Compressed Gas Association Commodity Specification G 7.1 - 1966, OSHA 29 CFR 1910. 134, and/or Canadian Standards Associations (CSA).

DISCLAIMER OF WARRANTIES
In the event the compressor is used for the purpose of breathing air application and proper in-line safety and alarm equipment is not simultaneously used, existing warranties shall be voided, and Campbell Hausfeld disclaims any liability whatsoever for any loss, personal injury or damage.

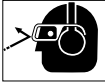
pumping system, the following safety precautions must be observed at all times:

1. Read all manuals included with this product carefully. Be thoroughly familiar with the controls and the proper use of the equipment.
2. Follow all local electrical and safety codes as well as in the US, National Electrical Codes (NEC) and Occupational Safety and Health Act (OSHA).



Oiless Compressors

General Safety Information (Continued)

- Only persons well acquainted with these rules of safe operation should be allowed to use the compressor.
- Keep visitors away and NEVER allow children in the work area.
- Wear safety glasses and use hearing protection when operating the pump or unit. 
- Do not stand on or use the pump or unit as a handhold.
- Before each use, inspect compressed air system and electrical components for signs of damage, deterioration, weakness or leakage. Repair or replace defective items before using.
- Check all fasteners at frequent intervals for proper tightness.

⚠ WARNING

Motors, electrical equipment and controls can cause electrical arcs that will ignite a flammable gas or vapor. Never operate or repair in or near a flammable gas or vapor. Never store flammable liquids or gases in the vicinity of the compressor.



⚠ CAUTION

Compressor parts may be hot even if the unit is stopped.



- Keep fingers away from a running compressor; fast moving and hot parts will cause injury and/or burns.
- If the equipment should start to abnormally vibrate, STOP the engine/motor and check immediately for the cause. Vibration is generally a warning of trouble.
- To reduce fire hazard, keep engine/motor exterior free of oil, solvent, or excessive grease.

⚠ WARNING

Never remove or attempt to adjust safety valve. Keep safety valve free from paint and other accumulations.

⚠ DANGER

Never attempt to repair or modify a tank! Welding, drilling or any other modification will weaken the tank resulting in damage from rupture or explosion. Always replace worn or damaged tanks.



⚠ WARNING

Drain liquid from tank daily.

- Tanks rust from moisture build-up, which weakens the tank. Make sure to drain tank regularly and inspect periodically for unsafe conditions such as rust formation and corrosion.
- Fast moving air will stir up dust and debris which may be harmful. Release air slowly when draining moisture or depressurizing the compressor system.

SPRAYING PRECAUTIONS

⚠ WARNING

Do not spray flammable materials in vicinity of open flame or near ignition sources including the compressor unit.



- Do not smoke when spraying paint, insecticides, or other flammable substances.
- Use a face mask/respirator when spraying and spray in a well ventilated area to prevent health and fire hazards.
- Do not direct paint or other sprayed material at the compressor. Locate compressor as far away from the spraying area as possible to minimize overspray accumulation on the compressor.
- When spraying or cleaning with solvents or toxic chemicals, follow the instructions provided by the chemical manufacturer.



Installation

LOCATION

It is extremely important to use the compressor in a clean, well ventilated area where the surrounding air temperature will not be more than 100°F. A minimum clearance of 18 inches between the compressor and a wall is required because objects could obstruct air flow.

⚠ CAUTION **Do not locate the compressor air inlet near steam, paint spray, sandblast areas or any other source of contamination. This debris will damage the motor.**

⚠ CAUTION

Never use an extension cord with this product. Use additional air hose instead of an extension cord to avoid power loss and permanent motor damage. Use of an extension cord voids the warranty.



GROUNDING INSTRUCTIONS

- This product is for use on a nominal 120 volt circuit and has a grounding plug that looks like the plug illustrated in Fig. 1. Make sure the product is connected to an outlet having the same configuration as the plug. This product must be grounded. In the event of an electrical short circuit, grounding reduces risk of electrical shock by providing an escape wire for electric current. This product is equipped with a cord having a grounding wire with an appropriate grounding plug. Plug must be plugged into an outlet that is properly installed and grounded in accordance with all local codes and ordinances.

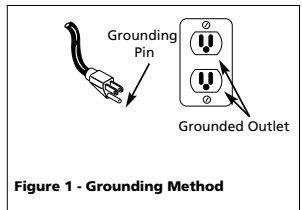


Figure 1 - Grounding Method

Installation (Con't)

⚠ DANGER

Improper use of grounding plug can result in a possible risk of electrical shock!



⚠ DANGER

Do not use a grounding adapter with this product!

- If repair or replacement of cord or plug is necessary, do not connect grounding wire to either flat blade terminal. The wire with insulation having an external surface that is green (with or without yellow stripes) is the grounding wire.

⚠ WARNING

Never connect green (or green and yellow) wire to a live terminal.

- Check with a qualified electrician or serviceman if grounding instructions are not completely understood, or if in doubt as to whether product is properly grounded. Do not modify plug provided; if it will not fit outlet, have proper outlet installed by a qualified electrician.

WIRING

⚠ CAUTION

Overheating, short circuiting and fire damage will result from inadequate wiring, etc.

NOTE: 120 volt, 15 amp units can be operated on a 120 volt circuit under the following conditions:

- No other electrical appliances or lights are connected to the same branch circuit.
- Voltage supply is normal.
- Circuit is equipped with a 15 amp circuit breaker or a 15 amp slow blow fuse.

If these conditions cannot be met or if nuisance tripping of current protection device occurs, it may be necessary to operate compressor from a 120 volt, 20 amp circuit.

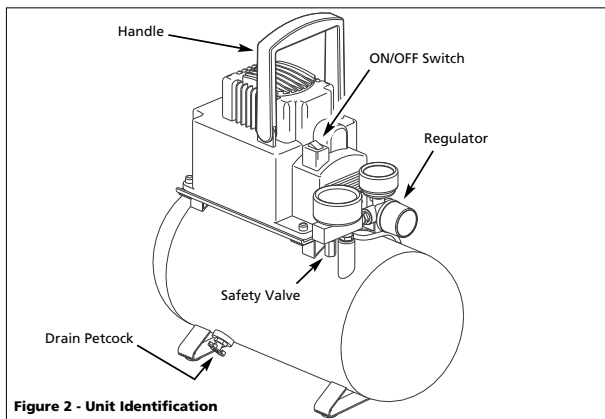


Figure 2 - Unit Identification

Operation

Regulator - The regulator controls the amount of air pressure released at the hose outlet.

ASME Safety Valve - This valve automatically releases air if the tank pressure exceeds the preset maximum.

Handle - Designed to move the compressor.

Drain Petcock - This valve is located on the bottom of the tank. Use this valve to drain moisture from the tank daily to reduce the risk of corrosion.

Reduce tank pressure below 10 psi, then drain moisture from tank daily to avoid tank corrosion. Drain moisture from tank(s) by opening the drain petcock located underneath the tank.

LUBRICATION

This is an oilless product and **DOES NOT** require lubrication to operate.

BREAK-IN PROCEDURE

⚠ CAUTION *Do not attach air chuck or other tool to open end of hose until start-up has been completed and unit checks OK.*

IMPORTANT: Do not operate compressor before reading instructions or damage may result.

- Turn regulator fully clockwise to open air flow.
- Turn switch to OFF position and plug in power cord.
- Turn switch to ON position and run unit for 5 minutes to break in the pump parts.
- Turn regulator knob fully counterclockwise. Compressor will build to maximum preset pressure and shut off.
- Turn regulator knob clockwise to cause air to bleed off. Compressor will restart at a preset pressure.
- Turn regulator knob counterclockwise to shut off the air and turn switch to Off position.
- Attach chuck or other tool to open end of hose. Turn the regulator on.

In the ON position, the compressor pumps air into the tank. It shuts off automatically when unit reaches its maximum preset pressure. In the OFF position, the pressure switch cannot function and the compressor will not operate. Make sure switch is in OFF position when connecting or disconnecting power cord from electrical outlet.

Oilless Compressors

Operation (Continued)

ASME SAFETY VALVE

⚠ WARNING Do not remove or attempt to adjust the safety valve!

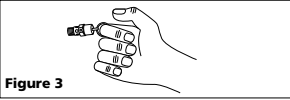


Figure 3

Check safety valve under pressure daily by pulling the ring by hand. If air leaks after ring has been released, or valve is stuck and cannot be actuated by ring, it MUST be replaced.

REGULATOR KNOB

1. This knob controls air pressure to an air operated tool or paint spray gun.
2. Turn knob clockwise to increase air pressure.
3. To lower air pressure turn knob counterclockwise.
4. Turn fully counterclockwise to shut off flow of air completely.

Maintenance

⚠ WARNING

Disconnect power source then release all pressure from the system before attempting to install, service, relocate or perform any maintenance.



Check compressor often for any visible problems and follow maintenance procedures each time compressor is used.

1. Pull ring on safety valve and allow it to snap back to normal position.

⚠ WARNING Safety valve must be replaced if it cannot be actuated or it leaks air after ring is released.

2. Turn compressor off and release pressure from system. Drain moisture from tank by opening drain cock underneath tank. Tilt tank to remove all moisture.

MOISTURE IN COMPRESSED AIR

Moisture in compressed air will form into droplets as it comes from an air compressor pump. When humidity is high or when a compressor is in continuous use for an extended period of time, this moisture will collect in the tank. When using a paint spray or sandblast gun, this water will be carried from the tank through the hose, and out of the gun as droplets mixed with the spray material.

IMPORTANT: This condensation will cause water spots in a paint job, especially when spraying other than water based paints. If sandblasting, it will cause the sand to cake and clog the gun, rendering it ineffective. A filter in the air line (MP3105), located as near to the gun as possible, will help eliminate this moisture.

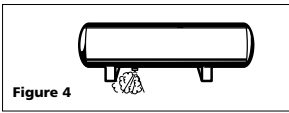


Figure 4

3. Clean dust and dirt from motor, tank, air lines and pump cooling fins while compressor is still OFF.

LUBRICATION

This is an oilless type compressor requiring no lubrication.

THERMAL OVERLOAD PROTECTOR

⚠ CAUTION This compressor is equipped with an automatic reset thermal overload protector which will shut off motor if it becomes overheated.

If thermal overload protector shuts motor OFF frequently, look for the following causes.

1. Low voltage.
2. Clogged air filter.
3. Lack of proper ventilation.

⚠ CAUTION If the thermal overload protector is actuated, the motor must be allowed to cool down before start-up is possible. The motor will automatically restart without warning if left plugged into electrical outlet and unit is turned on.

STORAGE

1. When not in use, store hose and compressor in a cool dry place.
2. Drain tank of moisture.
3. Disconnect hose and hang open ends down to allow any moisture to drain.

Troubleshooting Chart

Symptom	Possible Cause(s)	Corrective Action
Compressor will not run	<ol style="list-style-type: none"> 1. No power or switch in OFF position 2. Blown fuse (usually indicated by no light in power switch) 3. Motor overheated 4. Tank pressure at maximum 5. Breaker open 6. Pressure switch bad 	<ol style="list-style-type: none"> 1. Make sure compressor is plugged in and switch is ON 2. Disconnect compressor from power source then remove pump shroud. Replace fuse (Part. No. FP200352AV) 3. Allow compressor to cool for approximately 30 minutes so thermal overload switch will reset. If unit still does not start, empty air from tank and refer to actions 1 and 2. 4. Release air from tank 5. Reset, determine cause of problem 6. Replace pump assembly
Fuses blow/circuit breaker trips repeatedly	<ol style="list-style-type: none"> 1. Incorrect size fuse, circuit overloaded 2. Defective check valve 	<ol style="list-style-type: none"> 1. Check for proper fuse (5 amp), use time-delay fuse. Disconnect other electrical appliances from circuit or operate compressor on its own branch circuit 2. Replace check valve assembly <p>⚠ DANGER <i>Do not disassemble check valve with air in tank; bleed tank</i></p>
Thermal overload protector cuts out repeatedly	<ol style="list-style-type: none"> 1. Low voltage 2. Lack of proper ventilation/room temperature too high 3. Check valve malfunction 4. Compressor valves failed 	<ol style="list-style-type: none"> 1. Eliminate extension cord, check with voltmeter 2. Move compressor to well ventilated area 3. Replace check valve assembly 4. Replace pump assembly <p>⚠ DANGER <i>Do not disassemble check valve with air in tank; bleed tank</i></p>
Knocks, rattles, excessive vibration	<ol style="list-style-type: none"> 1. Loose bolts, tank not level 2. Defective bearing on eccentric or motor shaft 3. Cylinder or piston ring is worn or scored 	<ol style="list-style-type: none"> 1. Tighten bolts, shim tank to level position 2. Replace pump assembly 3. Replace pump assembly
Tank pressure drops when compressor shuts off	<ol style="list-style-type: none"> 1. Loose drain cock 2. Check valve leaking 3. Loose connections at pressure switch or regulator 	<ol style="list-style-type: none"> 1. Tighten 2. Replace pump assembly 3. Check all connections with soap and water solution and tighten <p>⚠ DANGER <i>Do not disassemble check valve with air in tank; bleed tank</i></p>

Oilless Compressors

Troubleshooting Chart (Continued)

Symptom	Possible Cause(s)	Corrective Action
Compressor runs continuously and air output is lower than normal/low discharge pressure	<ol style="list-style-type: none"> 1. Excessive air usage, compressor too small 2. Air leaks in piping (on machine or in outside system) 3. Broken inlet valves 4. Piston ring worn 	<ol style="list-style-type: none"> 1. Decrease usage or purchase unit with higher air delivery (SCFM) 2. Replace leaking components or tighten as necessary 3. Replace pump assembly 4. Replace pump assembly
Excessive moisture in discharge air	<ol style="list-style-type: none"> 1. Excessive water in tank 2. High humidity 	<ol style="list-style-type: none"> 1. Drain tank, tilt tank to remove moisture 2. Move to area of less humidity; use air line filter <p>NOTE: Water condensation is not caused by compressor malfunction</p>
Compressor runs continuously and safety valve opens as pressure rises	<ol style="list-style-type: none"> 1. Defective pressure switch 2. Defective safety valve 	<ol style="list-style-type: none"> 1. Replace pressure switch 2. Replace safety valve with genuine replacement part
Excessive starting and stopping (auto start)	Excessive condensation in tank	Drain more often

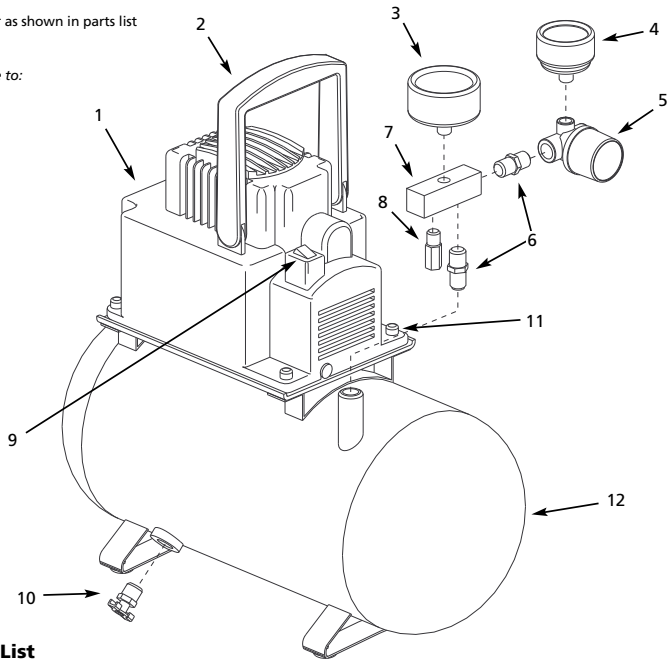
Notes

For Replacement Parts, Call 1-800-543-6400

Please provide following information:

- Model number
- Serial number (if any)
- Part description and number as shown in parts list

Address parts correspondence to:
 The Campbell Group
 Attn: Parts Department
 100 Production Drive
 Harrison, OH 45030 U.S.A.



Replacement Parts List

Ref. No.	Description	Part Number	Qty.
1	Shroud	FP200341AV	1
2	Handle	FP200340AV	1
3	Tank gauge	FP200347AV	1
4	Regulator gauge	FP200345AV	1
5	Regulator	RE206203AV	1
6	Brass fitting	HF002400AV	2
7	Manifold body	FP200342AV	1
8	Safety valve	V-215102AV	1
9	On/Off switch	FP200343AV	1
10	Drain cock	D-1401	1
11	Shroud screws - M6-1.0 x 20	★	4
12	Tank (not available as a replacement part)		
Δ	Pump assembly	FP200350AV	1
Δ	Fuse	FP200352AV	1
Δ	Check valve assembly	FP200353AV	1
Δ	Pressure switch	FP200354AV	1
(Δ)	Not shown		
★	Standard hardware		

Limited Warranty

1. **DURATION:** From the date of purchase by the original purchaser as follows: Standard Duty - One Year, Serious Duty - Two Years, Extreme Duty - Three Years.
 2. **WHO GIVES THIS WARRANTY (WARRANTOR):**
Campbell Hausfeld / Scott Fetzer Company, 100 Production Drive, Harrison, Ohio, 45030, Telephone: (800) 543-6400
 3. **WHO RECEIVES THIS WARRANTY (PURCHASER):** The original purchaser (other than for purposes of resale) of the Campbell Hausfeld compressor.
 4. **WHAT PRODUCTS ARE COVERED BY THIS WARRANTY:** Any Campbell Hausfeld air compressor.
 5. **WHAT IS COVERED UNDER THIS WARRANTY:** Substantial defects due to material and workmanship with the exceptions noted below.
 6. **WHAT IS NOT COVERED UNDER THIS WARRANTY:**
 - A. Implied warranties, including those of merchantability and FITNESS FOR A PARTICULAR PURPOSE ARE LIMITED FROM THE DATE OF ORIGINAL PURCHASE AS STATED IN THE DURATION. If this compressor is used for commercial, industrial or rental purposes, the warranty will apply for ninety (90) days from the date of purchase. Four cylinder single-stage and two-stage compressors are not limited to a ninety (90) day warranty when used in commercial or industrial applications. Some States do not allow limitations on how long an implied warranty lasts, so the above limitations may not apply to you.
 - B. ANY INCIDENTAL, INDIRECT, OR CONSEQUENTIAL LOSS, DAMAGE, OR EXPENSE THAT MAY RESULT FROM ANY DEFECT, FAILURE, OR MALFUNCTION OF THE CAMPBELL HAUSFELD PRODUCT. Some States do not allow the exclusion or limitations of incidental or consequential damages, so the above limitation or exclusion may not apply to you.
 - C. Any failure that results from an accident, purchaser's abuse, neglect or failure to operate products in accordance with instructions provided in the owner's manual(s) supplied with compressor.
 - D. Pre-delivery service, i.e. assembly, oil or lubricants, and adjustment.
 - E. Items or service that are normally required to maintain the product, i.e. lubricants, filters and gaskets, etc.
 - F. Gasoline engines and components are expressly excluded from coverage under this limited warranty. The Purchaser must comply with the warranty given by the engine manufacturer which is supplied with the product.
 - G. Additional items not covered under this warranty:
 1. All Compressors
 - a. Any component damaged in shipment or any failure caused by installing or operating unit under conditions not in accordance with installation and operation guidelines or damaged by contact with tools or surroundings.
 - b. Pump or valve failure caused by rain, excessive humidity, corrosive environments or other contaminants.
 - c. Cosmetic defects that do not interfere with compressor functionality.
 - d. Rusted tanks, including but not limited to rust due to improper drainage or corrosive environments.
 - e. Electric motors, check valves and pressure switches after the first year of ownership.
 - f. Drain cocks.
 - g. Damage due to incorrect voltage or improper wiring.
 - h. Other items not listed but considered general wear parts.
 - i. Pressure switches, air governors and safety valves modified from factory settings.
 2. Lubricated Compressors
 - a. Pump wear or valve damage caused by using oil not specified.
 - b. Pump wear or valve damage caused by any oil contamination or by failure to follow proper oil maintenance guidelines.
 3. Belt Drive / Direct Drive / Gas Driven Compressors
 - a. Belts.
 - b. Ring wear or valve damage from inadequate filter maintenance.
 - c. Manually adjusted load/unload and throttle control devices.
 7. **RESPONSIBILITIES OF WARRANTOR UNDER THIS WARRANTY:** Repair or replace, at Warrantor's option, compressor or component which is defective, has malfunctioned and/or failed to conform within duration of the warranty period.
 8. **RESPONSIBILITIES OF PURCHASER UNDER THIS WARRANTY:**
 - A. Provide dated proof of purchase and maintenance records.
 - B. Portable compressors or components must be delivered or shipped to the nearest Campbell Hausfeld Authorized Service Center. Freight costs, if any, must be borne by the purchaser.
 - C. Use reasonable care in the operation and maintenance of the products as described in the owner's manual(s).
 9. **WHEN WARRANTOR WILL PERFORM REPAIR OR REPLACEMENT UNDER THIS WARRANTY:**
 - A. Repair or replacement will be scheduled and serviced according to the normal work flow at the servicing location, and depending on the availability of replacement parts.
 - B. If the purchaser does not receive satisfactory results from the Authorized Service Center, the purchaser should contact Campbell Hausfeld (see paragraph 2).
- Limited Warranty applies in the U.S. and Canada only and gives you specific legal rights. You may also have other rights which vary from State to State or country to country.

S'il vous plaît lire et conserver ces instructions. Lire attentivement avant de monter, installer, utiliser ou de procéder à l'entretien du produit décrit. Se protéger ainsi que les autres en observant toutes les instructions de sécurité, sinon, il y a risque de blessure et/ou dégâts matériels! Conserver ces instructions comme référence.



Compresseur Sans Huile

Description

Les compresseurs sans huile sont conçus pour les bricoleurs avec une variété de travaux domestiques et automobiles. Ces modèles fonctionnent sans huile. L'air comprimé de ce modèle sera humide. Installer un filtre pour l'eau ou un sècheur si votre application requiert l'air sec.

Directives De Sécurité

Ce manuel contient de l'information très importante qui est fournie pour la SÉCURITÉ et pour ÉVITER LES PROBLÈMES D'ÉQUIPEMENT. Rechercher les symboles suivants pour cette information.

▲ DANGER

Danger

indique une situation hasardeuse imminente qui RÉSULTERA en perte de vie ou blessures graves.

▲ AVERTISSEMENT

Avertissement

indique une situation hasardeuse potentielle qui PEUT résulter en cours de vie ou blessures graves.

▲ ATTENTION

Attention

indique une situation hasardeuse potentielle qui PEUT résulter en blessures.

▲ AVIS

Avis

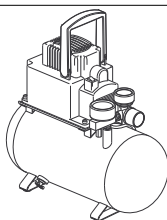
indique de l'information importante pour éviter le dommage de l'équipement.

Déballage

Lors du déballage de ce produit, l'examiner soigneusement pour rechercher toute trace de dommage susceptible de s'être produit en cours de transport. Veiller à serrer tout raccord, boulon, etc., avant de mettre ce produit en service. En cas de dommage ou de



NE PAS RENVoyer LE PRODUIT AU MARCHAND!



Enregistrer le No. de Modèle, No. de Série, et la Date d'Achat située sur la base de la pompe dans l'espace ci-dessous.

No. de Modèle _____

No. de Série _____

Date d'Achat _____

Garder ces numéros pour référence

parties manquantes, S.V.P. composer le 1-800-543-8622 pour demander conseil ou appeler un Centre De Service Autorisé Campbell Hausfeld.

Une liste de centres de services est ci-inclus. Prière d'avoir le numéro de série, numéro de modèle et liste de parties (avec les parties manquantes encadrées) avant d'appeler.

▲ AVERTISSEMENT

Ne pas utiliser un

modèle qui a été endommagé pendant le transport, la manipulation ou l'utilisation. Le dommage peut résulter en explosion et peut causer des blessures ou dégâts matériels.

Généralités Sur La Sécurité

Puisque le compresseur d'air et les autres pièces détachées (pompe, pistolets, filtres,

▲ DANGER

Avertissement D'Air Respirable

Ce compresseur/pompe n'est pas équipé pour et ne devrait pas être utilisé "comme soi" pour fournir de l'air respirable. Pour les applications d'air pour la consommation humaine, il est nécessaire d'équiper le compresseur d'air/pompe avec de l'équipement de sécurité en canalisation et d'alarme. Cet équipement additionnel est nécessaire pour filtrer et purifier l'air afin d'atteindre les spécifications minimales pour la respiration Grade D décrite dans le Compressed Gas Association Commodity Specification G 7.1 - 1966, OSHA 29 CFR 1910. 134, and/or Canadian Standards Associations (CSA).

DÉNÉGATION DES GARANTIES

Si le compresseur est utilisé pour les applications d'air respirable et l'équipement de sécurité en canalisation et d'alarme n'est pas utilisé simultanément, les garanties en existence seront annulées, et Campbell Hausfeld dénie toute responsabilité pour n'importe quelle perte, blessure ou dommage.


graisseurs, tuyaux, etc.) font partie d'un système de haute pression, il est nécessaire de suivre les précautions suivantes:

1. Lire attentivement tous manuels compris avec ce produit. Se familiariser avec ce produit, ses commandes et son utilisation.
2. Suivre tous les codes de sécurité locaux ainsi que les National Electrical Codes (NEC) and Occupational Safety and Health Act (OSHA) des E-U.



Compresseur Sans Huile

Généralités Sur La Sécurité (Suite)

3. Seules les personnes bien familiarisées avec ces règles d'utilisation doivent être autorisées à se servir du compresseur.
4. Garder les visiteurs à l'écart de/et NE JAMAIS permettre les enfants dans l'endroit de travail.
5. Utiliser des lunettes de sécurité et la protection auditive pendant l'utilisation du modèle. 
6. Ne pas se tenir debout sur/n'utiliser le modèle comme une prise.
7. Inspecter le système d'air comprimé et pièces détachées électriques pour toute indication de dommage, détérioration, faiblesse ou fuites avant chaque utilisation. Réparer ou remplacer toutes pièces défectueuses avant l'utilisation.
8. Inspecter le degré de serrage de toutes attaches par intervalles régulières.

⚠ AVERTISSEMENT

Ne jamais essayer de réparer ou de modifier un réservoir! Le soudage, perçage ou autre modifications peuvent affaiblir le réservoir et peuvent résulter en dommage de rupture ou d'explosion. Toujours remplacer un réservoir usé, fendu ou endommagé.



⚠ ATTENTION

Les pièces du compresseur peuvent être chaudes, même si le modèle est hors circuit.



9. Garder les doigts à l'écart du compresseur; les pièces mobiles et chaudes peuvent causer des blessures et/ou des brûlures.
10. Si l'équipement vibre anormalement, ARRÊTER le moteur et l'inspecter immédiatement. La vibration est généralement une indication d'un problème.
11. Pour réduire le risque d'incendie, garder l'extérieur du moteur libre d'huile, de solvant ou de graisse excessive.

⚠ AVERTISSEMENT

Ne jamais enlever ou essayer d'ajuster la soupape de sûreté.



Tenir la soupape de sûreté libre de peinture et d'autres accumulations.

⚠ DANGER

Ne jamais essayer de réparer ou de modifier un réservoir! Le soudage, perçage ou autre modifications peuvent affaiblir le réservoir et peuvent résulter en dommage de rupture ou d'explosion. Toujours remplacer un réservoir usé, fendu ou endommagé.



⚠ AVERTISSEMENT

Purger le réservoir quotidiennement.

13. L'accumulation d'humidité cause la rouille qui peut affaiblir le réservoir. Purger le réservoir quotidiennement et l'inspecter périodiquement pour la rouille et la corrosion ou autre dommage.
14. L'air mouvant peut agiter la poussière et le débris qui peut être dangereux. Lâcher l'air lentement en purgeant l'humidité ou pendant la dépressurisation du système du compresseur.

Purger le réservoir

PRÉCAUTIONS DE PULVÉRISATION

⚠ AVERTISSEMENT

Ne pas pulvériser les matériaux inflammables dans un endroit de flamme ouverte ni près d'une source d'ignition y compris le compresseur.



15. Ne pas fumer pendant la pulvérisation de la peinture, d'insecticides ou autres matières inflammables.
16. Utiliser un masque/ respirateur pendant la pulvérisation et pulvériser dans un endroit bien ventilé pour éviter le risque de blessures et d'incendie.
17. Ne pas diriger la peinture ou autre matériel pulvérisé vers le compresseur. Situer le compresseur aussi loin que possible de l'endroit de pulvérisation pour réduire l'accumulation de surpulvérisation sur le compresseur.
18. Suivre les instructions du fabricant pendant la pulvérisation ou le nettoyage avec des solvants ou produits chimiques toxiques.



Installation

ENDROIT

Il est très important d'utiliser le compresseur dans un endroit propre et bien ventilé où la température n'excèdera pas 38°C (100°F).

Un espace libre minimum de 45,7 centimètres entre le compresseur et un mur est exigé pour éviter le stoppage d'air par des objets.

⚠ ATTENTION

Ne pas situer la

prise d'air du compresseur près de la vapeur, un jet pulvérisé de peinture, endroits de décapage au sable ou autre sources de contamination. Le débris endommagera le moteur.

⚠ ATTENTION

Ne jamais utiliser un cordon prolongateur avec ce produit. Utiliser un tuyau flexible à air additionnel au lieu d'un cordon prolongateur pour éviter une perte de puissance et dommage du moteur. Usage d'un cordon prolongateur sert à annuler la garantie.



INSTRUCTIONS DE MISE À LA TERRE

1. Ce produit est conçu pour l'utilisation d'un circuit de 120 volts et a une fiche de mise à la terre comme celle indiquée sur la Fig. 1. Assurer que le modèle est branché à une prise de courant qui a la même configuration que la fiche. Ce produit doit être mis à la terre. Dans l'événement d'un court-circuit, la mise à la terre diminue le risque de secousse électrique en fournissant un fil d'échappement pour le courant électrique. Ce produit est équipé avec un cordon qui a un fil de terre avec une fiche de terre. La fiche doit être branchée dans une prise de courant qui a été installée et mise à la terre correctement en respectant tous les codes et règlements locaux.

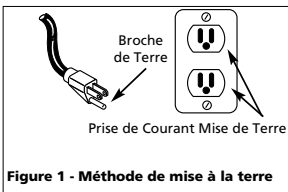


Figure 1 - Méthode de mise à la terre

Installation (suite)

⚠ DANGER

L'usage incorrect d'une fiche mise à la terre peut résulter en secousse électrique!



⚠ DANGER

Ne pas utiliser un adaptateur de mise à la terre avec ce produit!

2. Si la réparation ou le remplacement du cordon ou de la fiche est nécessaire, ne pas connecter le fil de terre à ni une ni l'autre borne plate. Le fil avec l'isolation qui a une surface externe verte (avec ou sans rayures) est le fil de terre.

⚠ AVERTISSEMENT

Ne jamais brancher le fil vert (ou vert et jaune) à une borne électrisée.

3. Si vous ne comprenez pas les instructions pour la mise à la terre ou si vous n'êtes pas certains si le produit est mis à la terre correctement, vérifier avec un électricien ou une personne qualifiée. Ne pas modifier la fiche fournie; si la fiche n'est pas la bonne taille pour la prise de courant, contacter un électricien qualifié pour l'installation d'une nouvelle prise de courant.

INSTALLATION DE FILS

⚠ ATTENTION

L'installation de fils insuffisante peut résulter en surchauffage, court-circuit et en dommage d'incendie.

REMARQUE: Les modèles de 120 V, 15A peuvent fonctionner sur un circuit de 120 V sous les conditions suivantes:

- Aucun autre appareil électrique ou lumière est connecté au même branchement.
- L'alimentation en tension est normale.
- Le circuit est équipé avec un disjoncteur de 15 ampères ou une fusée à retardement de 15 ampères.

S'il n'est pas possible d'atteindre les conditions ci-dessus ou s'il y a un

déclenchement du protecteur de courant à maintes reprises, il peut être nécessaire de faire fonctionner le compresseur sur un circuit de 120 volts, 20 ampères.

Fonctionnement

Régulateur - Le régulateur sert à régler la pression d'air à la sortie du tuyau.

Soupape de Sûreté ASME - Cette soupape laisse échapper l'air si la pression du réservoir dépasse la pression maximum réglée d'avance.

Poignée - Conçue pour le déplacement du compresseur.

Robinet de Purge - Cette soupape est située sur la base du réservoir. Utiliser cette soupape pour purger l'humidité du réservoir quotidiennement afin de réduire le risque de corrosion.

Baisser la pression du réservoir sous 69 kPa, et ensuite purger l'humidité du réservoir afin d'éviter la corrosion. Purger l'humidité du/des réservoir(s) en ouvrant le robinet de purge situé sur la base du réservoir.

LUBRIFICATION

Ce produit est "sans-huile" et n'exige pas d'huile pour fonctionner.

RODAGE

⚠ ATTENTION

Ne pas brancher les outils pneumatiques au bout du tuyau jusqu'à ce que le démarrage soit complet et que le modèle fonctionne bien.

IMPORTANT: Pour éviter du dommage au compresseur, lire toutes les instructions avant de l'utiliser.

1. Tourner le régulateur complètement à la droite pour ouvrir la circulation d'air.
2. Tourner l'interrupteur à la position OFF et brancher le cordon d'alimentation.
3. Tourner l'interrupteur à la position ON et faire fonctionner pour 5 minutes afin d'effectuer le rodage des pièces.
4. Tourner le bouton du régulateur complètement à la gauche. Le compresseur accumulera la pression jusqu'à ce qu'il atteigne la pression réglée d'avance et s'arrêtera.
5. Tourner le bouton du régulateur à la droite en laissant de l'air s'échapper. Le compresseur se remettra en marche à une pression réglée d'avance.
6. Tourner le bouton du régulateur à la gauche afin de couper l'air et ensuite tourner l'interrupteur à la position Off.

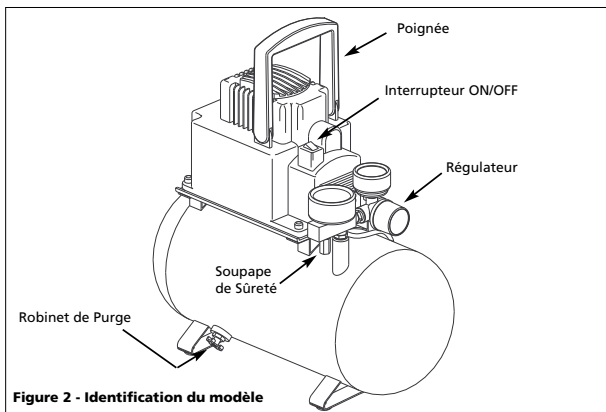


Figure 2 - Identification du modèle

Compresseur Sans Huile

Fonctionnement (Suite)

7. Fixer un mandrin ou autre outil au bout ouvert du tuyau. Tourner le régulateur On.

Dans la position ON, le compresseur pompe de l'air dans le réservoir. Il se coupe automatiquement quand il atteint la pression maximale réglée d'avance. Dans la position OFF, le manostat ne peut pas fonctionner et le compresseur ne fonctionnera pas. Cet interrupteur devrait être dans la position OFF pendant le branchement et le débranchement du cordon d'alimentation d'une prise de courant.

SOUAPPE DE SÛRETÉ ASME

⚠ AVERTISSEMENT *Ne jamais enlever ou essayer d'ajuster la soupape de sûreté!*

Vérifier cette soupape lorsque sous pression de temps à temps en tirant l'anneau à la main. La soupape DOIT être remplacée s'il y a des fuites d'air une fois que l'anneau soit relâché ou si la soupape est grippée et ne fonctionne pas avec l'anneau.

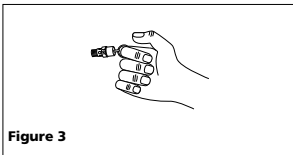


Figure 3

BOUTON DE RÉGULATEUR

1. Ce bouton contrôle la pression d'air à un outil pneumatique ou pistolet vaporisateur de peinture.
2. Tourner le bouton au sens des aiguilles d'une montre pour augmenter la pression d'air.
3. Pour diminuer la pression d'air, tourner le bouton au sens contraire des aiguilles d'une montre.
4. Tourner complètement au sens contraire des aiguilles d'une montre pour couper le débit d'air.

L'HUMIDITÉ DANS L'AIR COMPRIMÉ

L'humidité dans l'air comprimé forme des gouttelettes en arrivant de la pompe du compresseur. Si l'humidité est élevée ou si le compresseur est utilisé continuellement, cette humidité s'accumulera dans le réservoir. En utilisant un pistolet à peinture ou un pistolet pour décapage au sable, cette eau sera transportée hors du réservoir par moyen du tuyau en forme de gouttelettes mélangées avec le matériel utilisé.

IMPORTANT: Cette condensation peut avoir comme résultat des taches d'eau sur votre travail de peinture, surtout en pulvérisant la peinture qui n'est pas de base d'eau. Pendant la décapage au sable, (MP3105) cette eau servira à tenir le sable ensemble et à causer une obstruction dans le pistolet.

Entretien

⚠ AVERTISSEMENT

Débrancher de la source de puissance et ensuite dissiper toute la pression du système avant d'essayer d'installer, de réparer, de déplacer ou de procéder à l'entretien.



Inspecter le compresseur souvant et suivre les procédés d'entretien suivants pendant chaque utilisation du compresseur.

1. Tirer sur l'anneau de la soupape de sûreté et la laisser revenir à sa position normale.

⚠ AVERTISSEMENT *S'il y a une fuite après que la soupape soit lâchée ou si la soupape ne fonctionne pas, elle devrait être remplacée.*

2. Avec le compresseur hors circuit et la pression dissipée, purger l'humidité du réservoir en ouvrant le robinet de purge sous le réservoir. Incliner le réservoir afin de purger toute l'humidité.

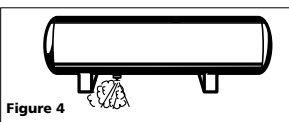


Figure 4

3. Tourner le bouton (de puissance) OFF et nettoyer la poussière et la saleté du moteur, réservoir, canalisations d'air et des ailettes du refroidisseur.

IMPORTANT: Situer le modèle aussi loin de l'endroit de pulvérisation que possible

afin d'empêcher que le filtre devienne obstrué par la surpulvérisation.

GRAISSAGE

Ce modèle "sans huile" n'exige pas de graissage.

PROTECTEUR DE SURCHARGE THERMIQUE

⚠ ATTENTION *Ce compresseur est équipé avec un protecteur de surcharge thermique à rajustement automatique qui sert à couper le moteur s'il devient surchauffé.*

Si le protecteur de surcharge thermique coupe le moteur (OFF) à maintes reprises, rechercher les causes suivantes.

1. Tension basse.
2. Filtre d'air obstrué.
3. Ventilation insuffisante.

⚠ ATTENTION *Le moteur doit se refroidir avant que le démarrage soit possible. Le moteur se démarre automatiquement sans avis si branché dans une prise de courant et si le modèle est en marche "ON".*

RANGEMENT

1. Si hors usage, ranger le tuyau et le compresseur dans un endroit sec et frais.
2. Purger l'humidité du réservoir.
3. Débrancher le tuyau et l'accrocher avec les bouts ouverts face en bas afin de permettre l'écoulement d'humidité.

Guide De Dépannage

Symptôme	Cause(s) Possible(s)	Mesures Correctives
Le compresseur ne fonctionne pas	<ol style="list-style-type: none"> 1. Manque d'alimentation ou interrupteur dans la position hors circuit (OFF) 2. Fusible sauté (souvent indiquée par un manque d'éclairage dans l'interrupteur) 3. Surchauffage du moteur 4. Pression du réservoir au maximum 5. Disjoncteur ouvert 6. Manostat en panne 	<ol style="list-style-type: none"> 1. S'assurer que le compresseur soit branché et que l'interrupteur soit ON (en marche) 2. Débrancher le compresseur de la source d'alimentation et ensuite enlever l'emboîtement de la pompe. Remplacer le fusible (Pièce N° FP200352 AV) 3. Permettre que le compresseur se refroidisse pendant approximativement 30 minutes afin que l'interrupteur de surcharge se rajuste. Si le modèle ne se démarre pas, vider le réservoir d'air et se référer aux mesures 1 et 2 4. Faire dissiper de l'air du réservoir 5. Rajuster, rechercher la cause 6. Remplacer le montage de la pompe
Sautage de fusibles/déclenchement de disjoncteur à maintes reprises	<ol style="list-style-type: none"> 1. Taille de fusible incorrecte, surcharge de circuit 2. Clapet défectueux 	<ol style="list-style-type: none"> 1. Vérifier pour le fusible correct (5 amp), utiliser une fusée à retardement. Débrancher les autres appareils du circuit ou faire fonctionner le compresseur sur un circuit dérivé unique. 2. Remplacer le clapet équipé
<div style="border: 1px solid black; padding: 2px; display: inline-block;">⚠ ATTENTION</div> Ne jamais utiliser un cordon prolongateur avec ce produit		<div style="background-color: black; color: white; padding: 2px; display: inline-block;">⚠ DANGER</div> Ne pas démonter le clapet s'il y a de l'air dans le réservoir; purger le réservoir
Protecteur de surcharge thermique s'ouvre à maintes reprises	<ol style="list-style-type: none"> 1. Tension basse 2. Manque de ventilation suffisante/température ambiante trop élevée 3. Fonctionnement défectueux du clapet 4. Panne de soupapes de compresseur 	<ol style="list-style-type: none"> 1. Éliminer le cordon prolongateur, vérifier avec un voltmètre 2. Déplacer le compresseur à un endroit bien ventilé 3. Remplacer le clapet équipé 4. Remplacer le montage de la pompe
<div style="background-color: black; color: white; padding: 2px; display: inline-block;">⚠ DANGER</div> Ne pas démonter le clapet s'il y a de l'air dans le réservoir; purger le réservoir		
Cognement, cliquetis, vibration excessive	<ol style="list-style-type: none"> 1. Boulons desserrés, réservoir pas nivelé 2. Palier défectueux sur l'excentrique ou sur l'arbre du moteur 3. Bague de cylindre ou piston usée ou grippée 	<ol style="list-style-type: none"> 1. Serrer les boulons, caler le réservoir pour le niveler 2. Remplacer le montage de la pompe 3. Remplacer le montage de la pompe

Compresseur Sans Huile

Guide De Dépannage (Suite)

Symptôme	Cause(s) Possible(s)	Mesures Correctives
Perte de pression quand le compresseur s'arrête	<ol style="list-style-type: none">1. Robinet de vidange desserré2. Fuite de clapet3. Connexions desserrées au manostat ou au régulateur	<ol style="list-style-type: none">1. Serrer2. Démontez le montage de clapet, nettoyez ou remplacez3. Vérifiez tous les connexions avec une solution d'eau savonneuse et serrez <p>⚠ DANGER <i>Ne pas démonter le clapet s'il y a de l'air dans le réservoir; purger le réservoir</i></p>
Le compresseur fonctionne continuellement et le débit d'air est plus bas que la pression de décharge normale/basse	<ol style="list-style-type: none">1. Usage d'air excessif, compresseur trop petit2. Fuites d'air dans la tuyauterie (sur la machine ou hors du système)3. Soupapes d'admission en panne4. Bague de piston usée	<ol style="list-style-type: none">1. Diminuer l'usage ou acheter un modèle avec un débit d'air (m³/min) plus élevé2. Remplacer les pièces détachées qui ont des fuites ou serrez au besoin3. Remplacer le montage de la pompe4. Remplacer le montage de la pompe
Humidité excessive dans l'air de décharge	<ol style="list-style-type: none">1. Eau excessive dans le réservoir2. Humidité élevée	<ol style="list-style-type: none">1. Purger le réservoir; Incliner le réservoir afin de purger toute l'humidité2. Déplacer le modèle à un endroit moins humide, utiliser un filtre en canalisation <p>REMARQUE: La condensation d'eau n'est pas causée par le mauvais fonctionnement du compresseur</p>
Le compresseur fonctionne continuellement et la soupape de sûreté s'ouvre quand la pression augmente	<ol style="list-style-type: none">1. Manostat défectueux2. Soupape de sûreté défectueuse	<ol style="list-style-type: none">1. Remplacer le manostat2. Remplacer la soupape de sûreté avec une pièce de rechange authentique
Démarrage et arrêt excessif (démarrage automatique)	Condensation excessive dans le réservoir	Purger plus souvent

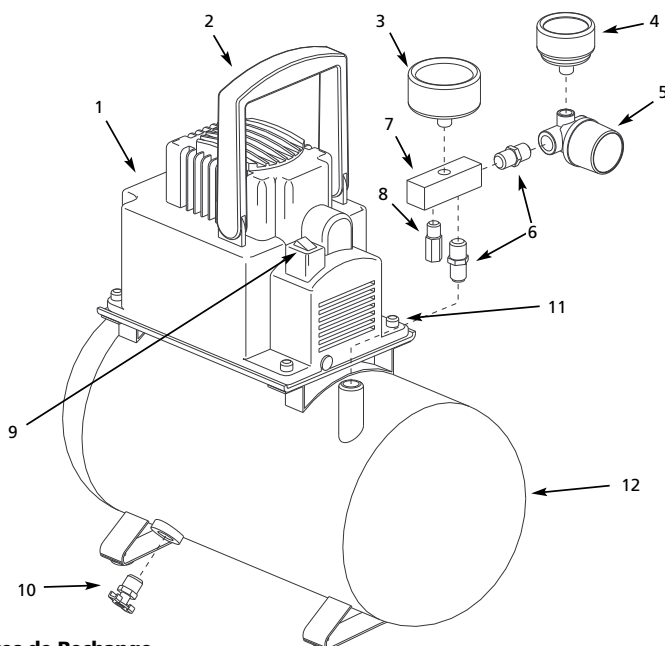
Pour Pièces De Rechange, appeler 1-800-543-6400

S'il vous plaît fournir l'information suivant:

- Numéro du modèle
- Numéro de série (si applicable)
- Description de la pièce et son numéro sur la liste de pièces

Correspondance concernant les pièces :

The Campbell Group
Attn: Parts Department
100 Production Drive
Harrison, OH 45030 U.S.A.



Liste de Pieces de Rechange

N° de. Ref.	Description	Número de pièce	Qté.
1	Couvercle de protection	FP200341AV	1
2	Manche	FP200340AV	1
3	Manomètre de réservoir	FP200347AV	1
4	Manomètre de régulateur	FP200345AV	1
5	Régulateur	RE206203AV	1
6	Raccord en laiton	HF002400AV	2
7	Corps de collecteur	FP200342AV	1
8	Soupape de sûreté	V-215102AV	1
9	Interrupteur On/Off	FP200343AV	1
10	Robinet de vidange	D-1401	1
11	Vis de couvercle de protection M6 - 1.0 x 20	★	4
12	Réservoir (pas disponible comme pièce de rechange)		
Δ	Montage de la pompe	FP200350AV	1
Δ	Fusible	FP200352AV	1
Δ	Clapet équipé	FP200353AV	1
Δ	Manostat	FP200354AV	1
(Δ)	Pas indiqués		
★	Quincaillerie standard		

Garantie Limitée

1. DURÉE: À partir de la date d'achat par l'acheteur original comme suit: Produits À Service Standard (Standard Duty) - Un An, Produits À Service Sérieux (Serious Duty) - Deux Ans, Produits À Service Extrême (Extreme Duty) - Trois Ans.
2. GARANTIE ACCORDÉE PAR (GARANT): Campbell Hausfeld/Scott Fetzer Company, 100 Production Drive, Harrison, Ohio, 45030, Téléphone: (800) 543-6400
3. BÉNÉFICIAIRE DE CETTE GARANTIE (ACHETEUR): L'acheteur original (sauf en cas de revente) du produit Campbell Hausfeld.
4. PRODUITS COUVERTS PAR CETTE GARANTIE: N'importe quel compresseur d'air Campbell Hausfeld.
5. COUVERTURE DE LA PRÉSENTE GARANTIE: Défauts de matière et de fabrication considérables avec les exceptions indiquées ci-dessous.
6. LA PRÉSENTE GARANTIE NE COUVRE PAS:
 - A. Les garanties implicites, y compris celles de commercialisabilité et D'ADAPTION À UNE FONCTION PARTICULIÈRE SONT LIMITÉES À PARTIR DE LA DATE D'ACHAT INITIALE TELLE QU'INDIQUÉE DANS LA SECTION DURÉE. Si ce compresseur d'air est utilisé pour une fonction commerciale ou pour la location, la durée de la garantie sera quatre-vingt-dix (90) jours à compter de la date d'achat. Les produits à quatre cylindres d'un ou de deux étages ne sont pas limités à une garantie de quatre-vingt-dix (90) jours si utilisés dans les applications commerciales ou industrielles. Quelques Provinces (États) n'autorisent pas de limitations de durée pour les garanties implicites. Les limitations précédentes peuvent donc ne pas s'appliquer.
 - B. TOUT DOMMAGE, PERTE OU DÉPENSE FORTUIT OU INDIRECT POUVANT RÉSULTER DE TOUT DÉFAUT, PANNE OU MAUVAIS FONCTIONNEMENT DU PRODUIT CAMPBELL HAUSFELD. Quelques Provinces (États) n'autorisent pas l'exclusion ni la limitation des dommages fortuits ou indirects. La limitation ou l'exclusion précédente peut ne donc pas s'appliquer.
 - C. Toute panne résultant d'un accident, d'une utilisation abusive, de la négligence ou d'une utilisation ne respectant pas les instructions données dans le(s) manuel(s) accompagnant le produit.
 - D. Service avant livraison; le montage, l'huile ou la graisse et les réglages par exemples.
 - E. Articles ou services qui sont exigés pour l'entretien normal du produit; graisses, filtres et joints d'étanchéités par exemples.
 - F. Les moteurs à essence et les pièces détachées sont expressément exclus de cette garantie limitée. L'acheteur doit observer la garantie du fabricant de moteur qui est fournie avec le produit.
 - G. Articles supplémentaires qui ne sont pas couverts sous cette garantie:
 1. Tous les Compresseurs
 - a. Toutes pièces détachées endommagées pendant l'expédition, n'importe quelle panne causée par un montage ou fonctionnement du modèle sous des conditions qui ne conforment pas aux directives de montage et de fonctionnement ou dommage causée par le contact avec les outils ou les alentours.
 - b. La panne de la pompe ou de la soupape causée par la pluie, l'humidité excessive, un environnement corrosif ou autres polluants.
 - c. Les défauts de forme qui n'ont pas d'effet sur le fonctionnement du compresseur.
 - d. Les réservoirs rouillés, y compris mais pas limités à la rouille causé par le vidange incorrect ou par un environnement corrosif.
 - e. Les moteurs électriques, les clapets, et les manostats suivant la première année de possession.
 - f. Robinets de vidange.
 - g. Dommage dû à la tension ou installation de fils incorrecte.
 - h. Autres articles pas indiqués mais considérés pièces à fatigue générales.
 - i. Manostats, régulateurs d'air et soupapes de sûreté qui ont été modifiés d'après les réglages de l'usine.
 2. Compresseurs Graissés
 - a. Usure de la pompe ou dommage aux soupapes causé par l'utilisation d'huile non-spécifiée.
 - b. Usure de la pompe ou dommage aux soupapes causé par toute contamination d'huile ou par le manque de suivre les directives d'entretien d'huile.
 3. Commande par Courroie / Commande Directe / Compresseurs à Essence
 - a. Courroies
 - b. Usure de bagues causée par l'entretien de filtre insuffisant
 - c. Appareils manuels de chargement/déchargement et appareils de commande d'obturateur.
7. RESPONSABILITÉS DU GARANT AUX TERMES DE CETTE GARANTIE: Réparation ou remplacement, au choix du Garant, d'un compresseur ou d'une pièce détachée qui se sont révélés défectueux ou qui ne se sont pas conformés pendant la durée de validité de la garantie.
8. RESPONSABILITÉS DE L'ACHETEUR AUX TERMES DE CETTE GARANTIE:
 - A. Fournir une preuve d'achat datée et un état d'entretien.
 - B. La livraison ou expédition des compresseurs portatifs ou des pièces détachées au Centre De Service Autorisé Campbell Hausfeld. Taux de frais, si applicables, sont la responsabilité de l'acheteur.
 - C. Utilisation et entretien du produit avec un soin raisonnable, ainsi que le décri(vent)t le(s) manuel(s) d'utilisation.
9. RÉPARATION OU REMPLACEMENT EFFECTUÉ PAR LE GARANT AUX TERMES DE LA PRÉSENTE GARANTIE:
 - A. La réparation ou le remplacement sera prévu et exécuté en fonction de la charge de travail dans le centre de service et dépendra de la disponibilité des pièces de rechange.
 - B. Si l'acheteur n'est pas satisfait des services du Centre De Service Autorisé, l'acheteur devrait contacter Campbell Hausfeld (se référer au paragraphe 2).

Cette Garantie Limitée s'applique aux États-Unis et au Canada et vous confère des droits judiciaires précis. L'acheteur peut également jouir d'autres droits qui varient d'une Province, d'un État ou d'un Pays à l'autre.

Sírvase leer y guardar estas instrucciones. Lea con cuidado antes de tratar de armar, instalar, manejar o darle servicio al producto descrito en este manual. Protéjase Ud. y a los demás observando todas las reglas de seguridad. El no seguir las instrucciones podría resultar en heridas y/o daños a su propiedad. Guarde este manual como referencia.



Compresores Sin Aceite

Descripción

Compresores sin aceite diseñados para los aficionados al bricolaje, con una variedad de trabajos domésticos y automotores. Estas unidades funcionan sin aceite. El aire comprimido que sale de esta unidad contiene humedad. Instale un filtro de humedad o un secador de aire si la aplicación requiere aire seco.

Medidas de Seguridad

Este manual contiene información que es muy importante que sepa y comprenda. Esta información se la suministramos como medida de SEGURIDAD y para EVITAR PROBLEMAS CON EL EQUIPO. Debe reconocer los siguientes símbolos.

▲ PELIGRO

Esto le indica que hay una situación inmediata que LE OCASIONARIA la muerte o heridas de gravedad.

▲ ADVERTENCIA

Esto le indica que hay una situación que PODRIA ocasionarle heridas no muy graves.

▲ PRECAUCION

Esto le indica que hay una situación que PODRIA ocasionarle heridas no muy graves.

▲ AVISO

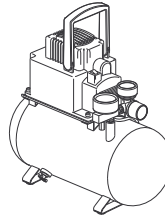
Esto le indica una información importante, que de no seguirla, le podría ocasionar daños al equipo.

Para Desempacar

Cuando desempaque la unidad, inspecciónela cuidadosamente para verificar si se han producido daños durante el transporte. Asegúrese de apretar todos los accesorios, pernos, etc. que estén sueltos antes de poner la unidad en



¡NO DEVUELVA EL PRODUCTO AL MINORISTA!



Registre en el espacio a continuación el No. del Modelo, el Número de Serie y la Fecha de Compra ubicados en la base debajo de la bomb.

No. del Modelo _____

No. de Serie _____

Fecha de Compra _____

Guarde estos números para referencia en el futuro.

servicio. En el caso de que haya daño o partes que faltan, haga el favor de llamar al 1-800-543-8622 para obtener ayuda o llame al Centro De Servicio Autorizado De Campbell Hausfeld más cercano.

Se incluye una lista de los lugares en donde se encuentran los centros de servicio. Tenga a mano el número de serie, el número del modelo y la lista de partes (con las partes que faltan marcadas con un círculo) antes de llamar.

▲ ADVERTENCIA

No debe utilizar la unidad si se ha dañado durante el envío, manejo o uso. Los daños podrían ocasionar una explosión y ocasionarle heridas o daños a su propiedad.

▲ PELIGRO

Advertencia sobre el aire respirable

Este compresor/cabezal no viene listo de fábrica para suministrarle aire respirable. Antes de utilizarlos con este fin, deberá instalarle un sistema de seguridad y alarma incorporado a la línea. Este sistema adicional es necesario para filtrar y purificar el aire adecuadamente, para cumplir con las especificaciones mínimas sobre aire respirable de Grado D descritas en la Especificación de Productos G 7.1 - 1966 de la Asociación de Aire Comprimido. Igualmente, deberá cumplir los requisitos establecidos por el Artículo 29 CFR 1910. 134 de la Organización Norteamericana OSHA y/o la Canadian Standards Associations (CSA).

RENUNCIA A LAS GARANTIAS

Si el compresor se utiliza para producir aire respirable SIN haberle instalado el sistema de seguridad y alarma, todas la garantías se anularán y la compañía Campbell Hausfeld no asumirá NINGUNA responsabilidad por pérdidas, heridas personales o daños.

Informaciones Generales de Seguridad

Como el compresor de aire y otros componentes usados (cabezales, pistolas pulverizadoras, filtros, lubricadores, mangueras, etc.), forman parte de un sistema de bombeo de alta presión, deberá seguir las siguientes medidas de seguridad todo el tiempo:

1. Lea con cuidado todos los manuales incluidos con este producto.

Familiarícese con los controles y el uso adecuado del equipo.



Compresores Sin Aceite

Informaciones Generales de Seguridad (Continuación)

2. Siga todos los códigos de seguridad laboral y electricidad establecidos en su país, por ejemplo los de la NEC y OSHA en EUA.
3. Este compresor sólo debe ser usado por personas que estén bien familiarizadas con las reglas de seguridad y de manejo.
4. Mantenga a los visitantes alejados y NUNCA permita la presencia de niños en el área de trabajo.
5. Siempre use anteojos de seguridad y protéjase los oídos para operar el cabezal o el compresor.
6. No se encaramo sobre el cabezal, ni lo use para sostenerse.
7. Antes de cada uso, inspeccione el sistema de aire comprimido y los componentes eléctricos, para ver si están dañados, deteriorados, desgastados o tienen fugas. Repare o reemplace las piezas dañadas antes de usar el equipo.
8. Chequeé todas las conexiones frecuentemente para cerciorarse de que estén bien apretadas.



ADVERTENCIA

Los motores, equipos eléctricos y controles pueden ocasionar arcos eléctricos que encenderían gases o vapores inflamables. Nunca opere o repare el compresor cerca de gases o vapores inflamables. Nunca almacene líquidos o gases inflamables cerca del compresor.



PRECAUCION

Las piezas del compresor podrían estar calientes, inclusive cuando la unidad esté apagada.



9. Mantenga los dedos alejados del compresor cuando esté funcionando; las piezas en movimiento o calientes, le ocasionarían heridas y/o quemaduras.
10. Si el equipo comienza a vibrar excesivamente, APAGUE el motor y chequeelo inmediatamente para

determinar la razón. Generalmente, la vibración excesiva se debe a una falla.

11. Para reducir el peligro de incendio, mantenga el exterior del motor libre de aceite, solventes o exceso de grasa.

ADVERTENCIA *Nunca debe*

desconectar o tratar de ajustar las válvulas de seguridad. Igualmente, debe evitar que se le acumule pintura u otros materiales.

PELIGRO

¡Nunca trate de reparar o modificar el tanque! Si lo suelda, taladra o modifica de cualquier otra manera, el tanque se debilitará y se podría dañar, romperse o explotar. Siempre reemplace los tanques desgastados, rotos o dañados.



ADVERTENCIA *Drene el tanque*

diariamente.

13. Los tanques se oxidan debido a la acumulación de humedad y ésto debilita el tanque. Cerciórese de drenar el tanque con regularidad e inspecciónelo periódicamente para ver si está en malas condiciones, por ejemplo si está oxidado.
14. La circulación rápida de aire podría levantar polvo y desperdicios dañinos. Siempre libere el aire lentamente para drenar el tanque y liberar la presión del sistema.

PRECAUCIONES PARA ROCIAR

ADVERTENCIA

Nunca rocíe materiales inflamables cerca de llamas al descubierto o fuentes de ignición incluyendo el compresor.



15. No fume mientras esté rociando pintura, insecticidas u otras sustancias inflamables.
16. Use una máscara/ respirador cuando vaya a rociar y siempre rocíe en un área bien ventilada para evitar peligros de salud e incendios.
17. Nunca rocíe la pintura y otros materiales, directamente hacia el compresor. Coloque el compresor lo



más lejos posible del área de trabajo, para minimizar la acumulación de residuos en el compresor.

18. Al rociar o limpiar con solventes o químicos tóxicos, siga las instrucciones del fabricante de dichos químicos.

Instalación

COLOCACION

Es de suma importancia usar el compresor en un lugar limpio y bien ventilado donde la temperatura ambiente no sea mayor de 38° C (100° F).

Se requiere un espacio mínimo de 45,7 cm (18 pulgadas) entre el compresor y la pared, ya que los objetos podrían obstruir el paso de aire.

PRECAUCION *No coloque*

la entrada de aire del compresor cerca de áreas con vapor, vapores de pintura, chorros de arena o cualquier otra fuente de contaminación. Los desperdicios dañarán el motor.

PRECAUCION



Nunca use un cordón de extensión con este aparato. Use una manguera de aire adicional en lugar de un cordón de extensión para evitar la pérdida de energía y los daños permanentes al motor. El uso de un cordón de extensión anulará la garantía.

CONEXION A TIERRA

1. Este producto está diseñado para circuitos nominales de 120 voltios y tiene un enchufe para conexión a tierra similar al de la Figura 1. Cerciórese de conectarlo a un tomacorrientes cuya configuración sea similar a la del enchufe. Este producto se debe conectar a tierra. En caso de que ocurra un cortocircuito, ésto evitaría el riesgo de choque eléctrico al ofrecerle un cable de desvío a la corriente eléctrica. Este producto tiene un cordón con un alambre y terminal de conexión a tierra. Debe conectarlo a un tomacorrientes que esté instalado adecuadamente según los códigos y ordenanzas locales.

Instalación (Continuación)

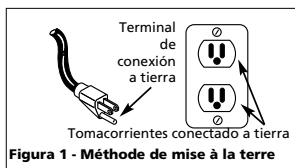


Figura 1 - Méthode de mise à terre

⚠ PELIGRO

El uso inadecuado del enchufe con conexión a tierra podría ocasionarle choques eléctricos.



⚠ PELIGRO

No use un adaptador para conexión a tierra con este producto.

2. Si necesita reparar o reemplazar el cordón o el enchufe, no conecte el cable de conexión a tierra a ninguno de los terminales planos. El alambre cuya superficie externa del aislante es verde, con o sin rayas amarillas, es el cable de conexión a tierra

⚠ ADVERTENCIA

Nunca conecte los cables verdes o verde con rayas amarillas, a un terminal con tensión.

3. Consúltelo a un electricista calificado o a un técnico de reparación, en caso de que no comprenda bien las instrucciones o si tiene dudas de que esté conectado a tierra adecuadamente. No modifique el enchufe, si éste no entra en el tomacorrientes, mande a instalar un tomacorrientes adecuado con un electricista calificado.

ALAMBRADO

⚠ PRECAUCION

Si no conecta los cables adecuadamente podría haber cortocircuitos, incendios, sobrecalentamiento, etc.

NOTA: Las unidades de 120 voltios, 15 amp se pueden utilizar en circuitos de 120 voltios bajo las siguientes condiciones:

- Ningún otro artefacto eléctrico o luces estén conectados al mismo circuito.
- El suministro de voltaje es normal.

c. Los cordones de extensión son los adecuados y cumplen los requisitos mínimos especificados en este manual de instrucciones.

d. El circuito tiene un cortacircuito de 15 amperios o un fusible de acción retardada de 15 amperios.

Si no puede satisfacer las condiciones arriba enumeradas o si el cortacircuito se activa frecuentemente, quizás tenga que utilizar un circuito de 120 voltios, 20 amperios.

drenar la humedad del tanque diariamente, para evitar que el tanque se oxide.

Reduzca la presión del tanque a menos de 0,69 bar, después drene la humedad del tanque diariamente para evitar que se oxide. Para drenar los tanques abra la llave ubicada debajo del tanque.

ENGRASE

Este es un aparato sin aceite y **no requiere** engrases para su funcionamiento.

PERÍODO DE USO INICIAL

⚠ PRECAUCION

Nunca conecte las herramientas a la manguera hasta haber encendido el motor y cerciorarse de que la unidad esté lista para funcionar.

IMPORTANTE: No utilice el compresor sin haber leído las instrucciones o podría dañarlo.

- Gire el regulador completamente en el mismo sentido de las agujas del reloj para abrir el flujo de aire.
- Coloque el presostato en OFF y conecte el cordón al tomacorrientes.
- Coloque el presostato en ON y deje que el compresor funcione por 5 minutos para que las piezas del cabezal se fijen.
- Gire la perilla del regulador completamente en sentido contrario a las agujas del reloj. El compresor se

Funcionamiento

Regulador - El regulador controla la cantidad de presión de aire expulsada por la manguera.

Válvula de seguridad ASME - Esta válvula automáticamente libera el aire si la presión del tanque excede el valor máximo fijado de fábrica.

Tubería de descarga - Esta tubería transporta el aire comprimido del cabezal a la válvula de chequeo. Esta tubería se calienta excesivamente durante el uso. Para evitar quemaduras graves, nunca la toque.

Válvula de chequeo - Esta válvula solo permite que el aire entre al tanque y evita que éste se regrese al cabezal.

Mango - Diseñado para mover el compresor.

Llave de drenaje - Esta válvula está ubicada debajo del tanque. Úsela para

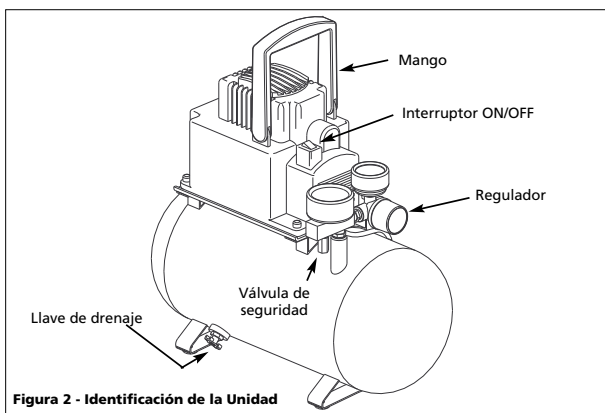


Figura 2 - Identificación de la Unidad

Compresores Sin Aceite

Funcionamiento (Continuación)

apagará automáticamente al alcanzar la presión máxima fijada de fábrica.

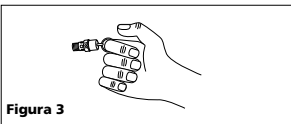
5. Gire la perilla del regulador completamente, en el mismo sentido de las agujas del reloj, para purgar el aire. El compresor comenzará a funcionar automáticamente al alcanzar una presión fijada de fábrica.
6. Gire la perilla del regulador completamente en sentido contrario al de las agujas del reloj, para cerrar el flujo de aire y coloque el presostato en Off.
7. Conecte un mandril o herramienta neumática a la manguera. Encienda el regulador.

En la posición ON, el compresor bombea aire hacia el tanque. El compresor se apaga automáticamente cuando la unidad alcanza una presión máxima fijada de fábrica. En la posición OFF, el presostato no puede funcionar por lo tanto el compresor no funcionará. El presostato debe estar en OFF cuando vaya a conectar o desconectar el cordón eléctrico del tomacorrientes.

VALVULA DE SEGURIDAD ASME

▲ ADVERTENCIA *Nunca desconecte o trate de ajustar la válvula de seguridad ASME.*

De vez en cuando debe halar el anillo con la mano para chequear esta válvula. Si hay una fuga de aire después de haber soltado el anillo, o si la válvula está atascada y no la puede activar con el anillo, DEBERA reemplazarla.



PERILLA DEL REGULADOR

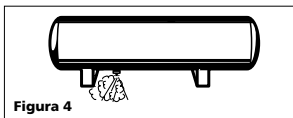
1. Esta perilla controla el suministro de aire comprimido a herramientas neumáticas o pistolas pulverizadoras.

HUMEDAD EN EL AIRE COMPRIMIDO

La humedad que se acumula en el aire comprimido se convierte en gotas a medida que sale del cabezal del compresor de aire. Cuando el nivel de humedad es muy alto o cuando el compresor ha estado en uso continuo por mucho tiempo, ésta se acumulará en el tanque. Al usar una pistola pulverizadora de pintura o una rociadora de arena, la humedad saldrá a través de la manguera mezclada con el material que esté rociando.

IMPORTANTE: Esta condensación ocasionará manchas en la superficie pintada, especialmente cuando esté pulverizando pinturas que no sean a base de agua. Al rociar arena ésta ocasionará que la arena se aglutine y obstruya la pistola, reduciendo su eficacia. Para eliminar este problema, instale un filtro en la línea de aire (MP3105), lo más cerca posible de la pistola.

2. Gire la perilla en el mismo sentido de las agujas del reloj para aumentar la presión de aire.
3. Para disminuir la presión de aire, gire la perilla en sentido contrario a las agujas del reloj.
4. Gire la perilla totalmente en sentido contrario a las agujas del reloj para cerrar el flujo de aire completamente.



IMPORTANTE: Debe colocar el compresor lo más lejos posible del área de trabajo, según lo permita la longituditud de la manguera, para evitar que el filtro se atasque.

LUBRICACION

Este compresor no requiere lubricación.

PROTECTOR TERMICO

▲ PRECAUCION *Este compresor está equipado con un protector automático contra sobrecarga térmica que apagará el motor cuando éste se sobrecaliente.*

Si el protector térmico apaga el motor con mucha frecuencia puede ser por lo siguiente:

1. Voltaje bajo.
2. El filtro de aire está atascado.
3. La ventilación es inadecuada.

▲ PRECAUCION *Debe esperar a que el motor se enfríe antes de encenderlo. El motor se encenderá automáticamente, sin previo aviso, si lo deja conectado al tomacorrientes y enciende la unidad.*

ALMACENAMIENTO

1. Cuando no se utilice, guarde la manguera y el compresor en un lugar fresco y seco.
2. Drene la humedad del tanque.
3. Desconecte la manguera y cuélguela con los extremos abiertos hacia abajo para que se seque la humedad.

Mantenimiento

▲ ADVERTENCIA

Desconecte el cordón eléctrico del tomacorrientes y libere toda la presión del sistema antes de tratar de instalar, darle servicio, cambiar de lugar o darle cualquier tipo de mantenimiento.



Este compresor se debe chequear con frecuencia para ver si tiene algún tipo de problemas y le debe dar el siguiente mantenimiento antes de cada uso.

1. Hále el anillo de la válvula de seguridad y deje que calce en su posición normal.
- ▲ ADVERTENCIA** *Debe reemplazar la válvula de seguridad si no la puede activar o si hay fugas de aire una vez que haya soltado el anillo.*
2. Apague el compresor y libere toda la presión, después: Abra la llave de drenaje, ubicada debajo del tanque, para drenarle toda la humedad. Vire el tanque para remover todos los residuos de humedad (Fig. 4).
3. Apague el compresor (póngalo en OFF), y limpie el motor, el tanque, las líneas de aire y las aletas del sistema de enfriamiento del cabezal.

Guía de diagnóstico de averías

Problema	Posible(s) Causa(s)	Acción a tomar
El compresor no funciona	<ol style="list-style-type: none"> 1. No hay corriente eléctrica, o el interruptor está en OFF (apagado) 2. El fusible está quemado (en estos casos generalmente la luz del interruptor no se enciende) 3. El motor está sobrecargado 4. La presión del tanque está al máximo 5. El cortacircuito (cuchilla) está abierto 6. El presostato está dañado 	<ol style="list-style-type: none"> 1. Cérchese de que el compresor esté conectado al tomacorriente y el interruptor esté en ON (encendido) 2. Desconecte el compresor del tomacorriente y destape el cabezal. Reemplace el fusible (pieza No. FP200352AV) 3. Permita que el compresor se enfríe por aproximadamente 30 minutos de modo que el dispositivo de sobrecarga térmica se reactive. Si la unidad aún no se enciende, vacíe el aire del tanque y regrese a los pasos 1 y 2 4. Libere el aire del tanque 5. Cierre el cortacircuito y determine la causa del problema 6. Re el cabezal
Los fusibles vuelan o el interruptor de circuito se desconecta repetidamente	<ol style="list-style-type: none"> 1. Tamaño incorrecto de fusible, circuito sobrecargado 2. Válvula de retención defectuosas 	<ol style="list-style-type: none"> 1. Verifique que el fusible sea el adecuado (5 amp), utilice un fusible de tiempo retardado. Desconecte otros artefactos eléctricos del circuito o haga funcionar el compresor con su propio circuito derivado 2. Reemplace el ensamblaje de la válvula de chequeo <p style="text-align: center;">⚠ PELIGRO <i>No desarme la válvula de retención con aire en el tanque; purgue el tanque</i></p>
El protector de sobrecarga térmica se activa repetidamente	<ol style="list-style-type: none"> 1. Bajo voltaje 2. Falta de ventilación adecuada o temperatura ambiente muy alta 3. Compruebe si la válvula no funciona bien 4. Fallaron las válvulas del compresor 	<ol style="list-style-type: none"> 1. Elimine el cordón de extensión, revise con un voltímetro 2. Mueva el compresor a una zona bien ventilada 3. Reemplace el ensamblaje de la válvula de chequeo 4. Re el cabezal <p style="text-align: center;">⚠ PELIGRO <i>No desarme la válvula de retención con aire en el tanque; purgue el tanque</i></p>
Golpeteos, cascabeleos, vibración excesiva	<ol style="list-style-type: none"> 1. Pernos flojos, tanque no nivelado 2. Cojinete defectuoso en la excéntrica o en el eje del motor 3. Cilindro o anillo de émbolo gastados o rayados 	<ol style="list-style-type: none"> 1. Ajuste los pernos, calce el tanque para nivelarlo 2. Re el cabezal 3. Re el cabezal

Compresores Sin Aceite

Guía de diagnóstico de averías (Continuación)

Problema	Posible(s) Causa(s)	Acción a tomar
La presión del tanque cae cuando se apaga el compresor	<ol style="list-style-type: none">1. Llave de drenaje floja2. Válvula de retención con fugas3. Conexiones flojas en el interruptor de presión o en el regulador	<ol style="list-style-type: none">1. Ajuste2. Re el cabezal3. Inspeccione todas las conexiones con agua jabonosa y ajuste <p>▲ PELIGRO <i>No desarme la válvula de retención con aire en el tanque; purgue el tanque</i></p>
El compresor funciona continuamente y la salida de aire es menor de lo normal/baja presión de descarga	<ol style="list-style-type: none">1. Uso excesivo de aire, compresor muy pequeño2. Fugas de aire en la tubería (en la máquina o en el sistema exterior)3. Válvulas de entrada rotas4. Anillo de émbolo gastado	<ol style="list-style-type: none">1. Disminuya el uso o compre una unidad con mayor impulsión de aire (m³/min)2. Cambie los componentes con fuga o ajuste como sea necesario3. Re el cabezal4. Re el cabezal
Humedad excesiva en el aire de descarga	<ol style="list-style-type: none">1. Exceso de agua en el tanque2. Alto grado de humedad	<ol style="list-style-type: none">1. Drene el tanque; Vire el tanque para remover todos los residuos de humedad2. Muévelo a una zona con menos humedad; use un filtro en línea de aire <p>NOTA: La condensación de agua no es causada por mal funcionamiento del compresor.</p>
El compresor funciona continuamente y la válvula de seguridad se abre cuando aumenta la presión	<ol style="list-style-type: none">1. Presostato defectuoso2. Válvula de seguridad defectuosa	<ol style="list-style-type: none">1. Reemplace el presostato2. Cambie la válvula de seguridad con un repuesto genuino
Arranques y paradas excesivas (arranque automático)	Condensación excesiva en el tanque	Drene con más frecuencia

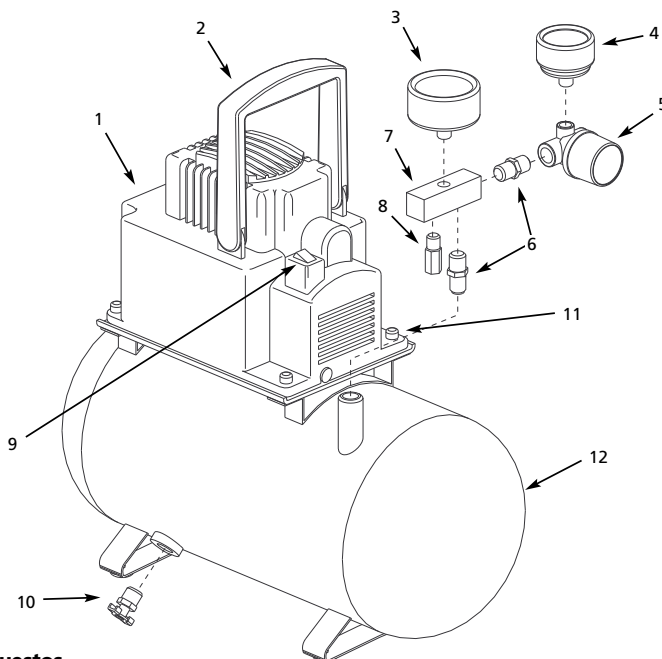
Para Ordenar Repuestos Sírvase Llamar al Distribuidor Mas Cercano A Su Domicilio

Sírvase darnos la siguiente información:

- Número del modelo
- Número de Serie (de haberlo)
- Descripción y número del repuesto según la lista de repuestos

Puede escribirnos a:

The Campbell Group / Attn: Parts Department
 100 Production Drive
 Harrison, OH 45030 U.S.A.



Liste De Repuestos

No. de Ref.	Descripción	Numero de pieza	Ctd.
1	Cubierta	FP200341AV	1
2	Mango	FP200340AV	1
3	Manómetro del tanque	FP200347AV	1
4	Manómetro del regulador	FP200345AV	1
5	Regulador	RE206203AV	1
6	Conector de bronce	HF002400AV	2
7	Múltiple	FP200342AV	1
8	Válvula de seguridad	V-215102AV	1
9	Interruptor	FP200343AV	1
10	Llave de drenaje	FP200349AV	1
11	Tornillos de la tapa M6 - 1.0 x 20	★	4
12	Tanque (no disponible por separado como pieza de repuesto)		
Δ	Ensamblaje del cabezal	FP200350AV	1
Δ	Fusible	FP200352AV	1
Δ	Válvula de chequeo	FP200353AV	1
Δ	Presostato	FP200354AV	1
(Δ)	No se muestran		
★	Artículos estándares		

Garantía Limitada

1. DURACION: A partir de la fecha de compra por el comprador original tal como se especifica a continuación: Productos Estándard (Standard Duty) - Un año, Productos Resistentes (Serious Duty) - Dos años, Productos Robustos (Extreme Duty) - Tres años.
 2. QUIEN OTORGA ESTA GARANTIA (EL GARANTE: Campbell Hausfeld / The Scott Fetzer Company 100 Production Drive, Harrison, Ohio 45030 Teléfono: (800) 543-6400
 3. QUIEN RECIBE ESTA GARANTIA (EL COMPRADOR): El comprador original (que no sea un revendedor) del producto Campbell Hausfeld.
 4. PRODUCTOS CUBIERTOS POR ESTA GARANTIA: Cualquier compresor de aire Campbell Hausfeld.
 5. COBERTURA DE LA GARANTIA: Los defectos substanciales de material y fabricación que ocurran dentro del periodo de validez de la garantía.
 6. LO QUE NO ESTA CUBIERTO POR ESTA GARANTIA:
 - A. Las garantías implícitas, incluyendo aquellas de comercialidad E IDONEIDAD PARA FINES PARTICULARES, ESTAN LIMITADOS A LO ESPECIFICADO EN EL PARRAFO DE DURACION. Si el compresor de aire es empleado para uso comercial, industrial o para renta, la garantía será aplicable por noventa (90) días a partir de la fecha de compra. La garantía de los compresores de cuatro cilindros de una y dos etapas, no está limitada a noventa (90) días si éstos se utilizan para trabajos comerciales o industriales. En algunos estados no se permiten limitaciones a la duración de las garantías implícitas, por lo tanto, en tales casos esta limitación no es aplicable.
 - B. CUALQUIER PERDIDA DAÑO INCIDENTAL, INDIRECTO O CONSECUENTE QUE PUEDA RESULTAR DE UN DEFECTO, FALLA O MALFUNCIONAMIENTO DEL PRODUCTO CAMPBELL HAUSFELD. En algunos estados no se permite la exclusión o limitación de daños incidentales o consecuentes, por lo tanto, en tales casos esta limitación o exclusión no es aplicable
 - C. Cualquier falla que resulte de un accidente, abuso, negligencia o incumplimiento de las instrucciones de funcionamiento y uso indicadas en el (los) manual(es) que se adjunta(n) al compresor.
 - D. Los servicios requeridos antes de la entrega tales como: ensamblaje, aceite o lubricantes y ajustes.
 - E. Artículos o servicios normalmente requeridos para el mantenimiento del producto, tales como: lubricantes, filtros, empaques, etc.
 - F. Los motores de gasolina están específicamente excluidos de la cobertura de esta garantía limitada. El comprador debe seguir las cláusulas de la garantía otorgada por el fabricante del motor de gasolina que se suministra con el producto.
 - G. Artículos adicionales no cubiertos bajo esta garantía:
 1. Todos los Compresores
 - a. Cualquier componente dañado durante el envío o cualquier daño ocasionado por haber instalado u operado la unidad bajo condiciones contrarias a lo indicado en las instrucciones para instalar u operar la unidad o daños ocasionados por el contacto con herramientas o los alrededores.
 - b. Daños del cabezal o las válvulas ocasionados por la lluvia, humedad excesiva, agentes corrosivos u otros contaminantes.
 - c. Daños de apariencia que no afecten el funcionamiento del compresor.
 - d. Tanques oxidados, incluyendo pero no limitado al óxido debido al drenaje inadecuado u agentes corrosivos en el ambiente.
 - e. Motores eléctricos, válvulas de chequeo y presostatos después del primer año a partir de la fecha de compra.
 - f. Llaves de drenaje
 - g. Daños debidos al alambrado incorrecto o conexión a circuitos con voltaje inadecuados para la unidad.
 - h. Otros artículos no enumerados pero considerados de desgaste general.
 - i. Presostatos, controles de flujo de aire y válvulas de seguridad cuyos parametros fijados de fábrica se modifiquen.
 2. Compresores lubricados
 - a. Daños del cabezal o las válvulas debidos al uso de aceites no especificados.
 - b. Daños del cabezal o las válvulas debidos a cualquier contaminación del aceite o por no haber seguido las instrucciones de lubricación.
 3. Compresores con bandas/ de accionamiento directo/ motores de gasolina
 - a. Bandas
 - b. Daños de los anillos debido al mantenimiento inadecuado del filtro.
 - c. Ajustes manuales de los instrumentos de carga/descarga y válvula de estrangulación.
 7. RESPONSABILIDADES DEL GARANTE BAJO ESTA GARANTIA: Reparar o reemplazar, como lo decida el Garante, el compresor o componentes que estén defectuosos, se hayan dañado o hayan dejado de funcionar adecuadamente, durante el periodo de validez de la garantía
 8. RESPONSABILIDADES DEL COMPRADOR BAJO ESTA GARANTIA:
 - A. Suministrar prueba fechada de compra y la historia de mantenimiento del producto.
 - B. Entregar o enviar los compresores de aire portátiles o componentes al Centro de Servicio autorizado Campbell Hausfeld más cercano. Los gastos de flete, de haberlos, deben ser pagados por el comprador.
 - C. Tener cuidado al utilizar el producto, tal como se indica(n) en el (los) manual(es) del propietario.
 9. CUANDO EFECTUARA EL GARANTE LA REPARACION O REEMPLAZO CUBIERTO BAJO ESTA GARANTIA:
 - A. La reparación o reemplazo dependerá del flujo normal de trabajo del centro de servicio y de la disponibilidad de repuestos.
 - B. Si el comprador no recibe resultados satisfactorios en el Centro de Servicio a Clientes de Campbell Hausfeld. (Vea el Párrafo 2).
- Esta Garantía Limitada sólo es válida en los Estados Unidos de América y Canadá y le otorga derechos legales específicos. Usted también puede tener otros derechos que varían de un Estado a otro. o de un país a otro.